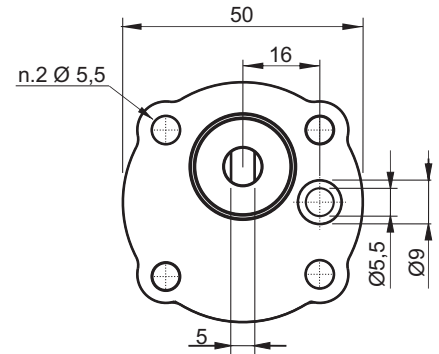
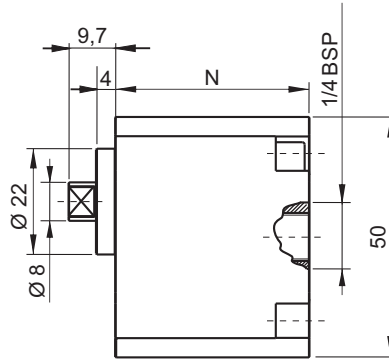


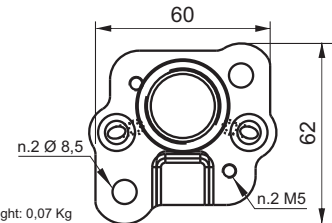
**H TYPE HIGH PRESSURE GEAR PUMPS, GROUP 0**



**Main features**

Oil temperature	-15 ÷ +80 °C
Inlet pressure	0,7 < P < 3,0 bar (absolute pressure)
Fixing bolts	2 x M5 8.8 class steel tightening torque: 8 ÷ 9,5 Nm
Pressure limits definition	Peak pressure: cycle 2 s ON Intermittent pressure: cycle 20 s ON Continuous pressure: cycle always ON

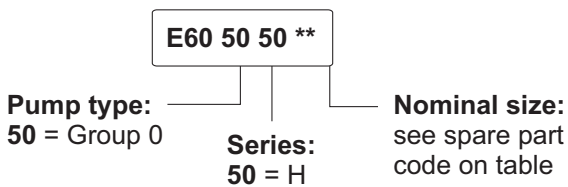
**Aluminium adapter flange to use group 0 pump on PPC, SPU, PPL and EPB group 1 manifold**  
Code: E60513025



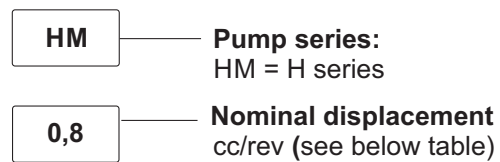
Weight: 0,07 Kg

Standard rotation direction: clockwise rotation (from shaft side).  
Counterclockwise rotation pumps can be mounted on request.  
Ask our sales department.

**Spare part code**



**PPM assembly code**



**Available range**

Nominal displacement [cc/rev]	Peak pressure [bar]	Intermittent pressure [bar]	Continuous pressure [bar]	Max speed [rpm]	N [mm]	Bolts* [mm]	Spare part code	Weight [Kg]
0,1	280	270	250	7000	36,4	5x50	E60505001	0,26
0,2	280	270	250	7000	36,7	5x50	E60505002	0,27
0,4	280	270	250	7000	37,8	5x50	E60505004	0,27
0,6	280	270	250	7000	39,5	5x50	E60505006	0,28
0,8	280	270	250	7000	40,7	5x50	E60505008	0,29
1,2	280	270	250	5000	43,4	5x55	E60505012	0,31
1,5	280	270	250	5000	45,0	5x55	E60505015	0,32

Other gear pumps with different pressure and speed available upon request.

\* Washers may be fitted to adapt bolt length