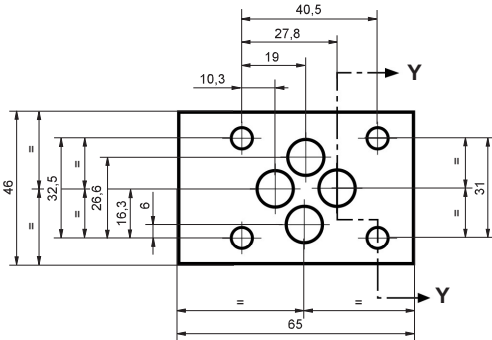


RFE: 321002

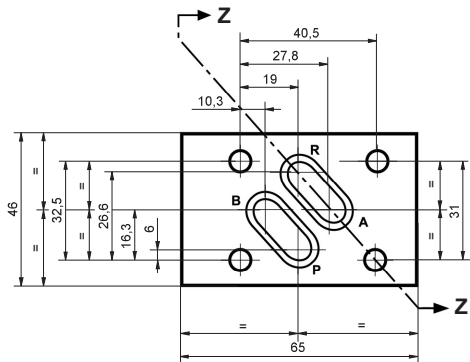
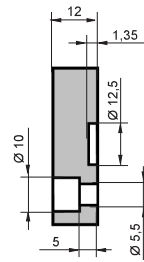
Approx. weight 0,9 kg.

Top cover



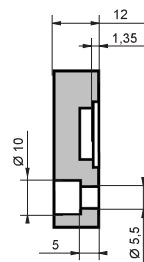
RFE: 321012

View **Y - Y**



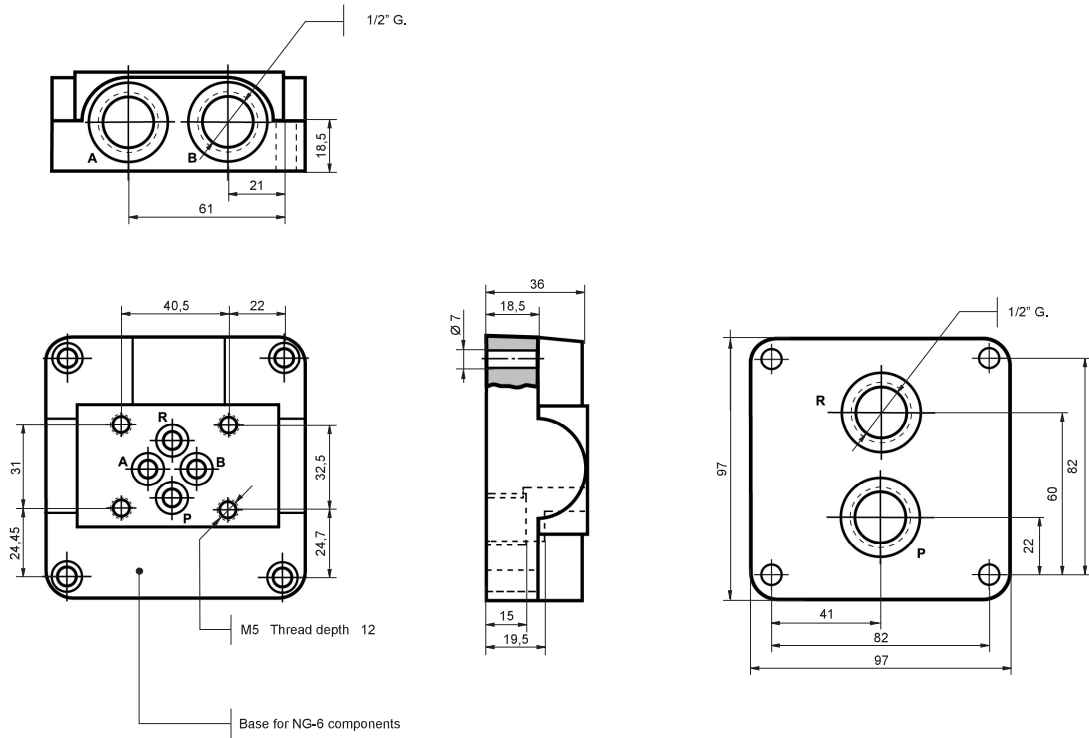
RFE: 321013

View **Z - Z**

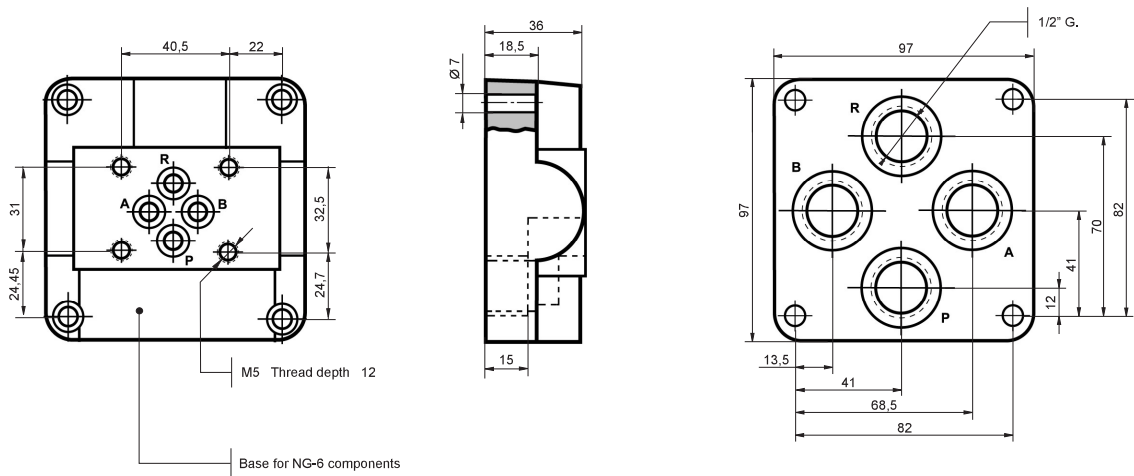


Approx. weight 0,25 kg.

RFE: 321032



RFE: 321031



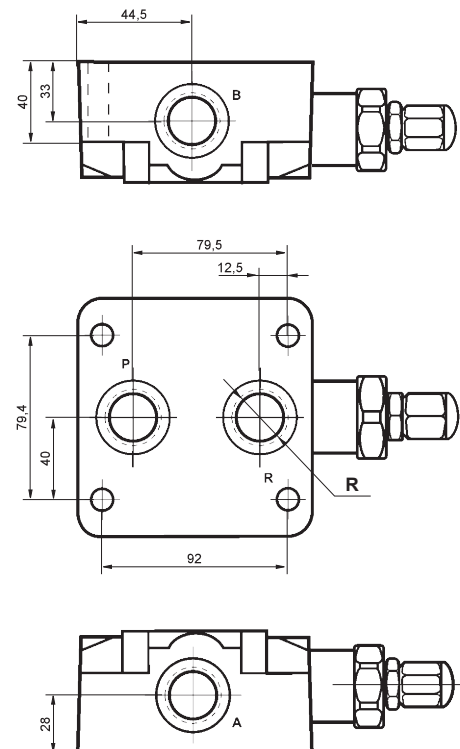
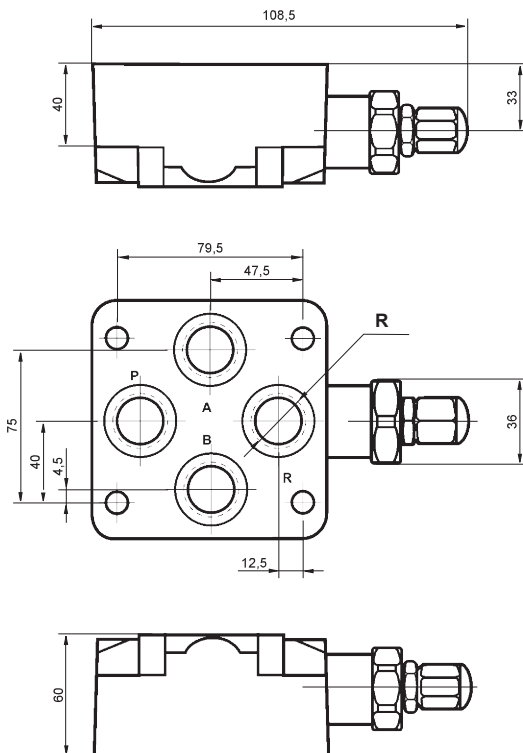
Hydraulic technical data

Max. working pressure	315 bar
Nominal flow	80 L./min.
Fluid recommended	ISO 6743 TYPE HM, HV or HG ISO 3448 Cat. VG32, VG46
Flow temperature range	-20°C...+80°C
Viscosity range	4 - 500 cST
Fluid cleanliness range	19/16 s/. ISO 4406 - RP70H or better
Weight	4,84 kg.



Reference	R (G.)	Thread depth
4RLM03P2 */04	1/2"	15
4RLM03P2 */06	3/4"	17

Reference	R (G.)	Thread depth
4RLL03P2 */04	1/2"	15
4RLL03P2 */06	3/4"	17

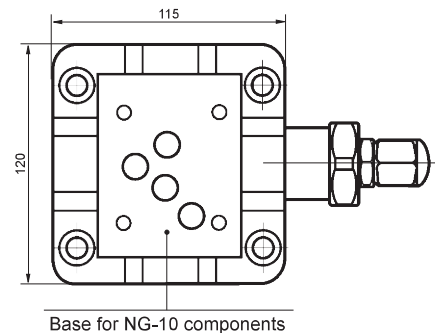


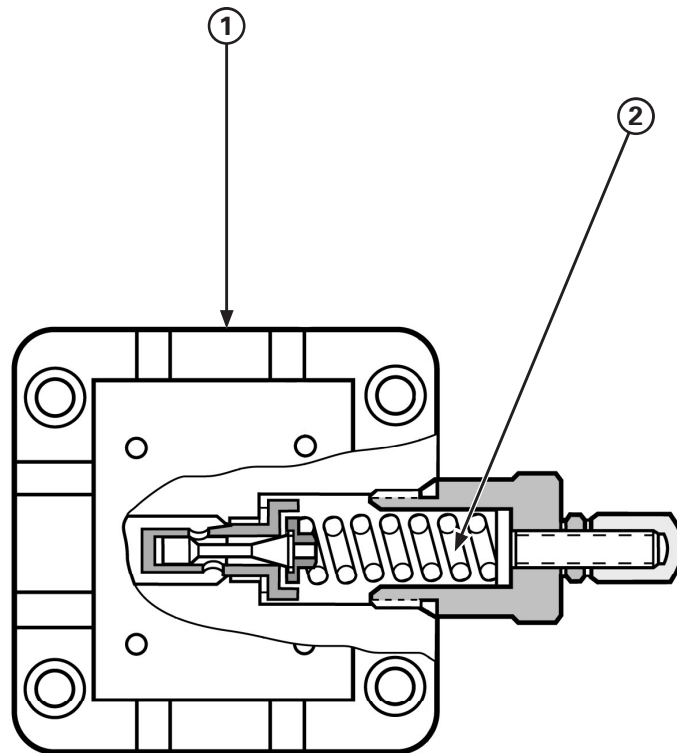
P	Pressure inlet port
A & B	Outlet ports to cylinders or motors
R	Return to tank

B	5-80 bar
D	85-175 bar
F	180-315 bar

* The asterisk in the part number will be replaced by B - D - F or G according to setting pressure required.

Note:
For diagram pressure-flow, see curves page 45





Mark	Part number	Description and parts
1A	2264011	Valve type 11 alve type 11
1B	2264012	Valve type 11 alve type 12
1C	2264013	Valve type 11 alve type 13
2A	5050/1A	Spring (5-80 bar)
2B	5050/2A	Spring (85-175 bar)
2C	5050/3A	Spring (180-315 bar)